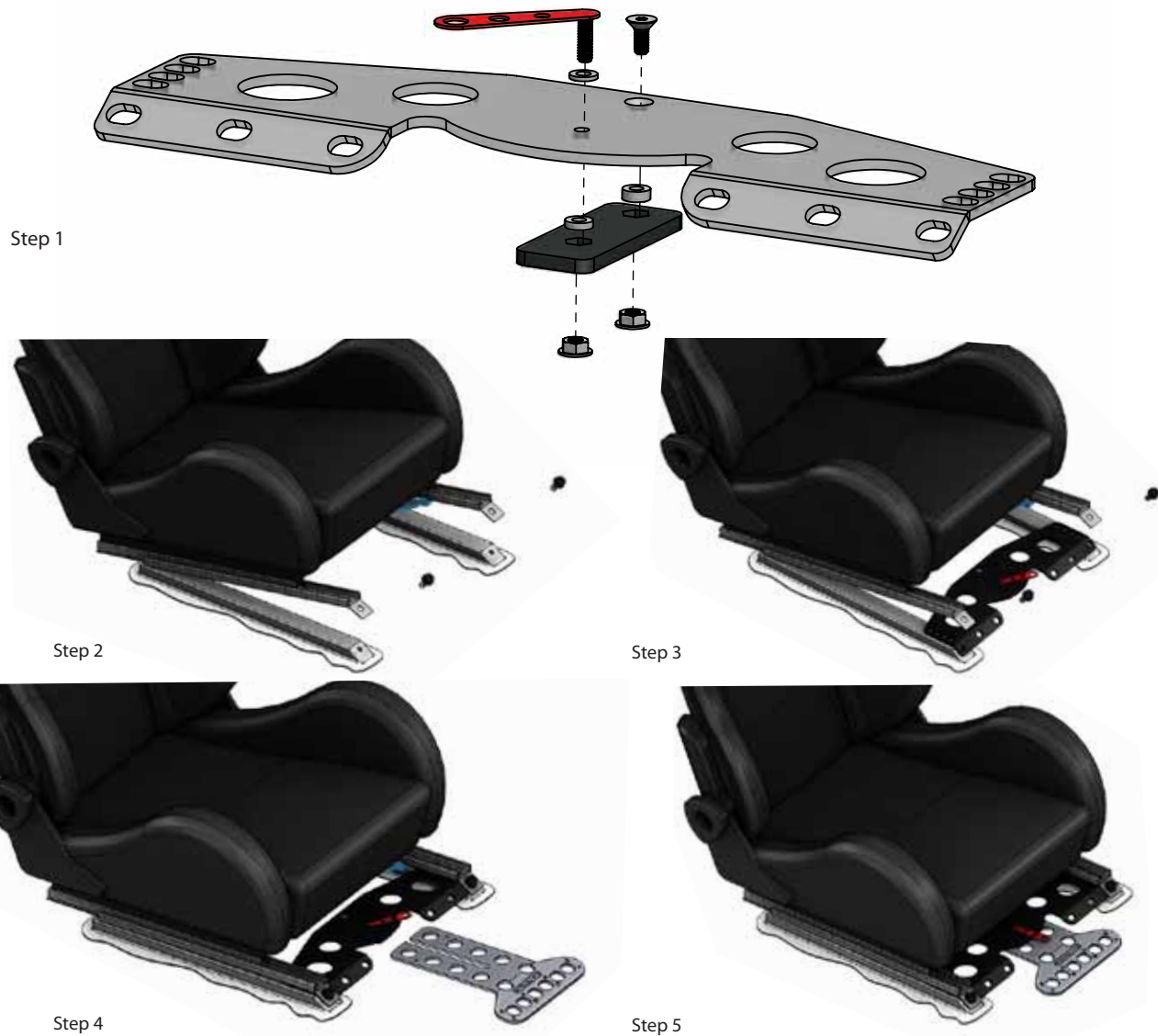


EZ - Adjust Fire Extinguisher Mount
READ BEFORE INSTALLATION

The use of any Rennline product is the sole responsibility of the end user. Rennline Inc. accepts no responsibility for warranty voids or damage resulting from the use of these products. Due to the varying location of wiring harnesses and other components, carefully inspect any area prior to drilling. All Rennline products are intended for off road use only and should be installed by a qualified automotive technician.



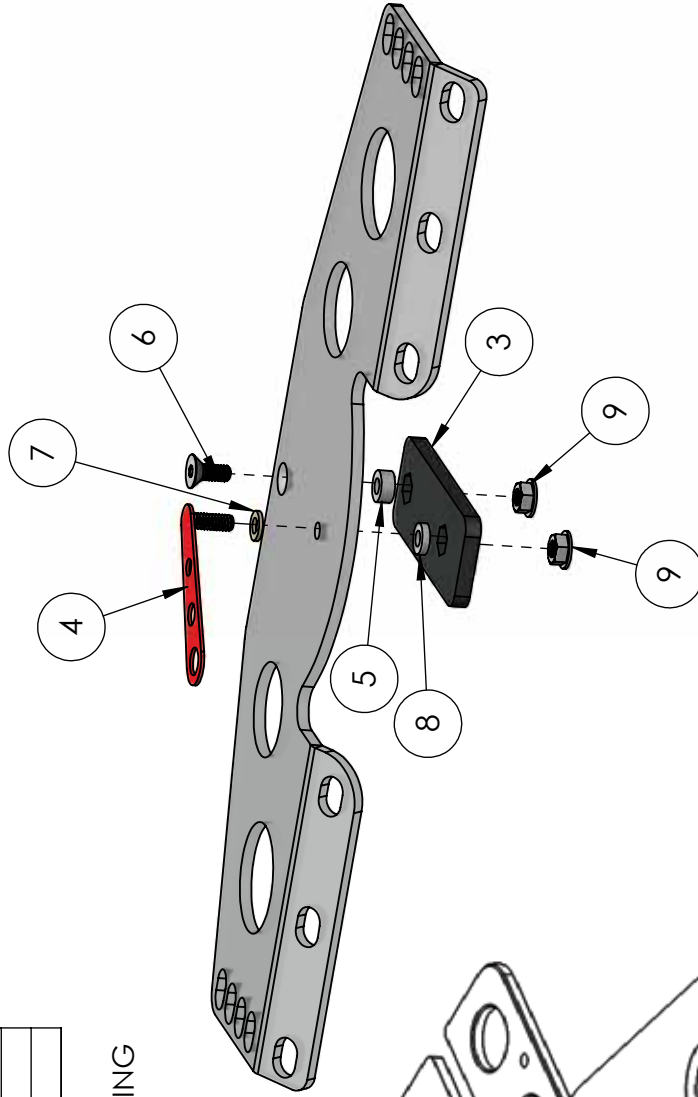
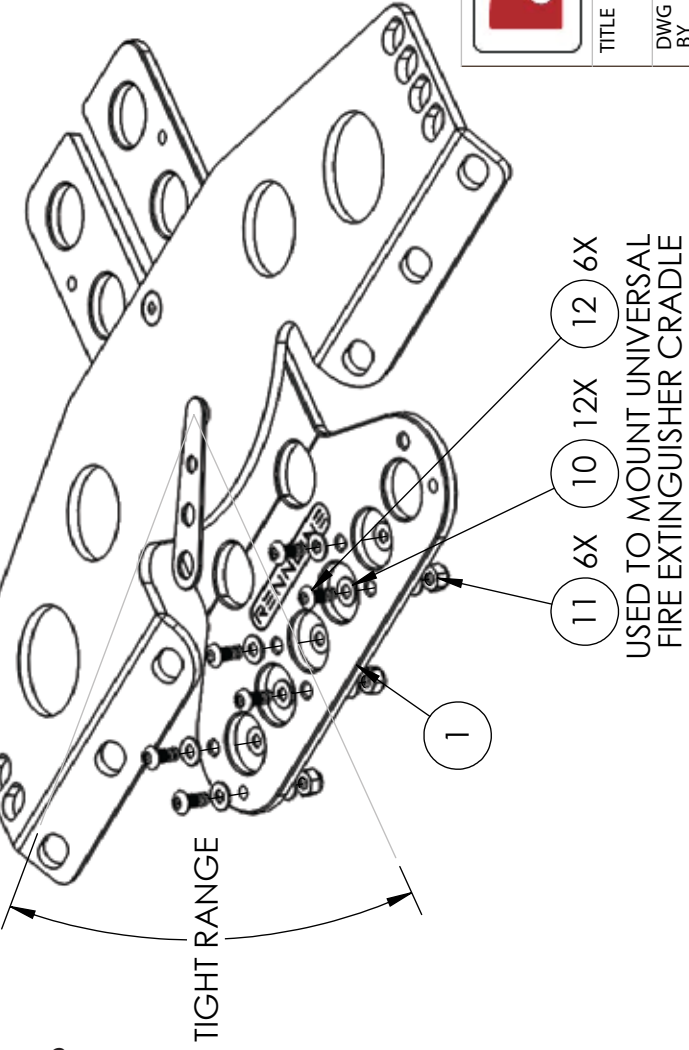
This mount may or may not work on both Drivers and Passenger seats depending on your model and options. Evaluate the clearance of the components under the seats to determine what seat you will be installing on. Some models will have wiring harnesses that may need to be moved and or secured to allow for adequate clearance.

1. Assemble the main support , see page 2 for detailed instructions.
2. Loosen the rear seat bolts and completely remove the front seat bolts.
3. Tilt the seat back and install the main support assembly. Inspect underneath seat for any clearance issues. Some seats will have wire harnesses that may need to be zip tied up or off to the side to allow proper clearance for installation.
4. Tighten the front and rear seat bolts sandwiching the main support assembly between the floor and the seat rails.
5. Install the fire extinguisher slider and tighten by rotating the red turn handle. If handle is out of time, see note on page 2 to adjust.
6. Install your fire extinguisher (not included) and hope you will never need it.
7. Move your seat back, forth, up and down and get familiar with it's limitations. Your extinguisher mount has a lot of adjustment but may still limit your extreme movements.
8. Enjoy your new Rennline Product.

ITEM NO.	QTY.	PART NO.	DESCRIPTION
1	1	FE13_A	BRACKET, EASY-ADJUSTABLE FIRE EXT. MOUNT
2	1	FE14	BRACKET, EZ-ADJUST FIRE EXT. MOUNT PORSCHE
3	1	FE13_C	BOTTOM PLATE, EASY-ADJUST FIRE EXT. MOUNT
4	1	FE13_D_ASSY	TURN HANDLE ASSY, EASY-ADJUST, FIRE EXT. MOUNT
5	1	FE13_E	SPACER BUSHING 1/2" OD X 1.74" ID .220 TALL, ALU
6	1	92210A539	1/4-20 x 5/8" LG, FLAT HD. STN STL
7	1	90295A140	WASHER, FLAT, NYLON, 1/4
8	1	92510A760	SPACER, 1/2" OD X 1/4" ID 1/8" TALL, ALUMINUM
9	2	94842A101	1/4-20 HEX FLANGE NUT, GR 5, ZINC PL
10	12	92141A011	10-32 FLAT WASHER, S/S
11	6	91831A411	10-32 NYLOC HEX NUT, S/S
12	6	92949A265	SCREW, 10-32 X 1/2 S/S BUTTON HD

NOTES:

1. ROTATE HEX FLANGE NUT TO TIME THE TURN HANDLE WITHING THE "TIGHT RANGE". ENSURE FIRE EXTINGUISHER SLIDER IS INSTALLED PRIOR TO ADJUSTMENT.



SEE NOTE 1



(802)893-7366

32 Catamount Dr.
Milton, VT, 05468

TITLE FIRE EXT. MOUNT, EASY-ADJUST

DWG BY	DM	DATE	9/30/2016	SHEET	1 OF 1
APP BY	-	DATE	-	SCALE	1:3